

GAS MASTRRR SERIES 32, 32NV & 32PT CL-1 FLEXIBLE HOSE/POWER CORD CLAMP



CL-1 FLEXIBLE HOSE/POWER CORD CLAMP

The CL-1 clamps are designed for use with the GAS MASTRRR series 32, 32NV & 32PT submersible chemical induction units to secure the flex hose and power cable to the lifting wire rope. This eliminates the potential of damage to the hose or cable in high velocity water flows.

The clamps are constructed from 316 stainless steel and elastomeric polyvinyl chloride (PVC) materials for long term duty in harsh water, wastewater, or CSO basin installations.

The coupling size must be specified:

Model# CL-1-1056-22 for Flexible Hose sizes 3/4" - 1"

Model# CL-1-1056-33 for Flexible Hose sizes 1-1/2" - 2"

MATERIALS:

SPRING CLIP (KEY LOCK)

316 STAINLESS STEEL

COUPLING

ELASTOMERIC PVC (COUPLING)

316 STAINLESS STEEL (HOSE CLAMP)

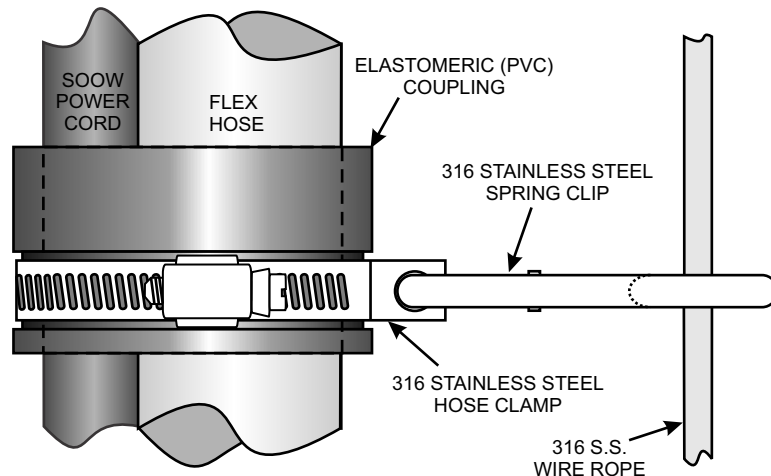
MODEL # CL-1-1056-22

FLEX HOSE SIZES 3/4" - 1"

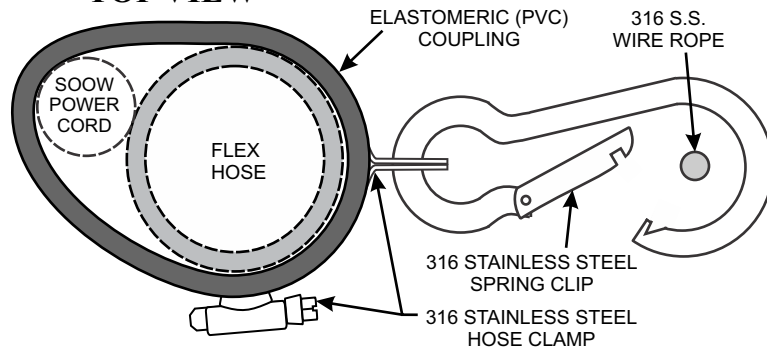
MODEL # CL-1-1056-33

FLEX HOSE SIZES 1-1/2" - 2"

SIDE VIEW



TOP VIEW



The CIU slide brackets are proudly made in the U.S.A. and are backed by a 1 year limited warranty.



MAKING A WORLD OF DIFFERENCE IN CHEMICAL FEED TECHNOLOGY
1-281-648-8703 www.gasmastrrr.com mastrrrsales@gmail.com

